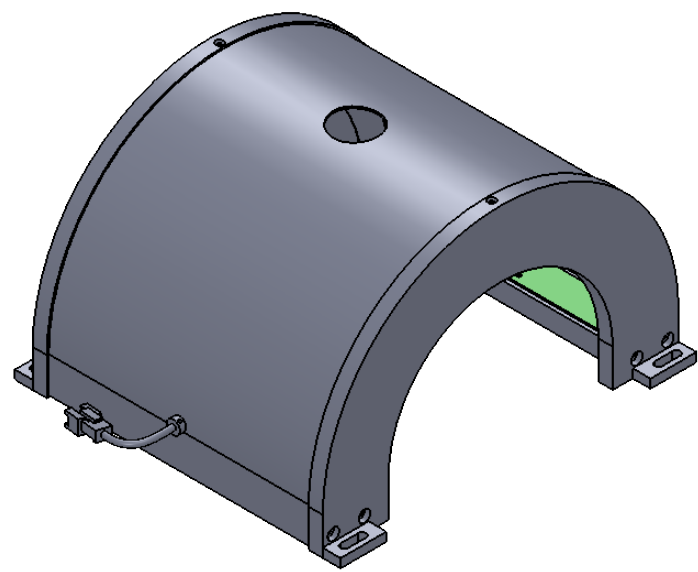
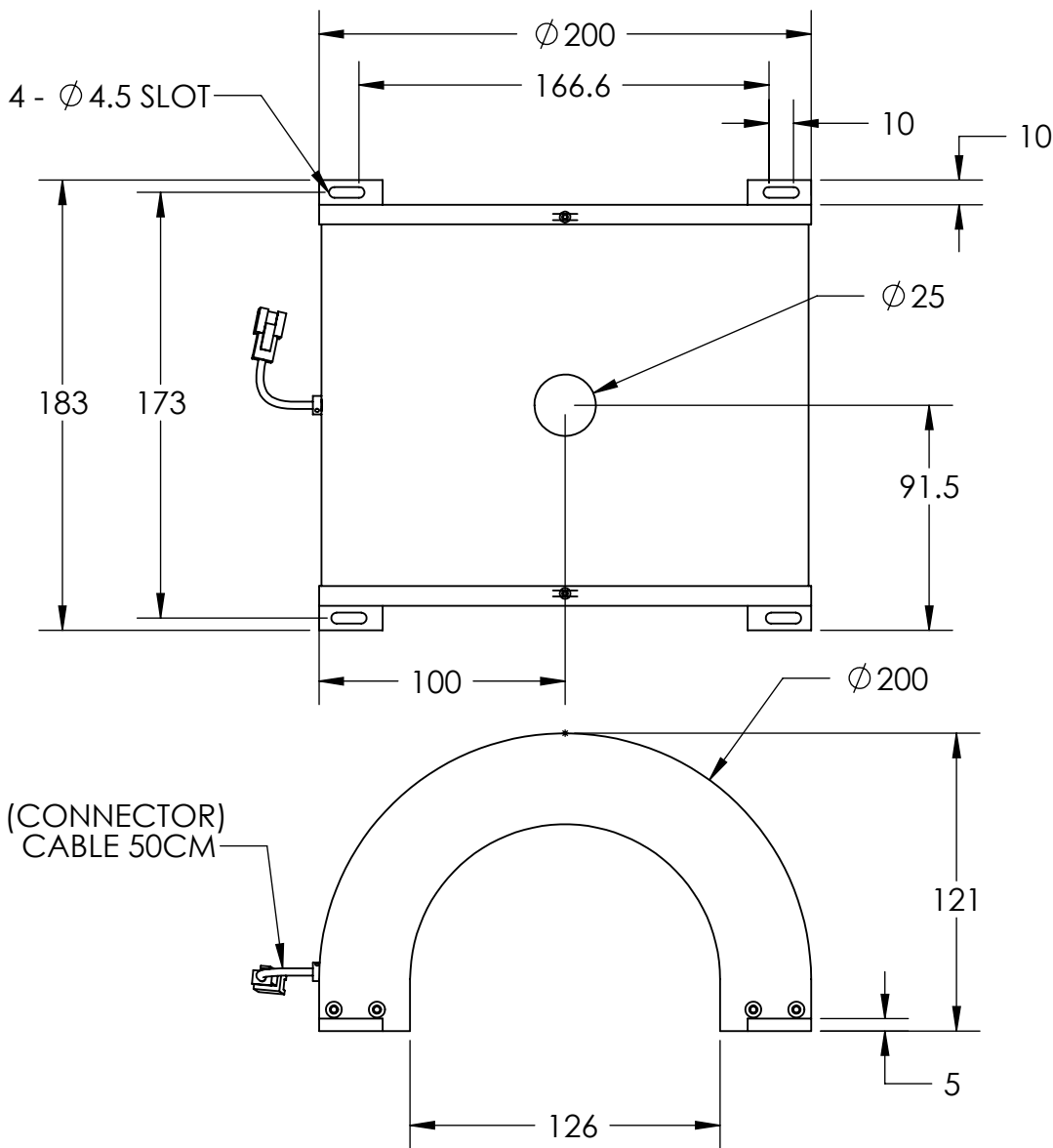



1 2 3 4 5 6 7 8

D  
C  
B  
A



D  
C  
B  
A

	DESIGN BY	FL LUEI	UNIT: MM	PRODUCT SERIES: LT2WRH SERIES	
	CHECK BY	KB TAN			
	DATE	04/06/2018	REVISION:	TITLE	DRAWING LAYOUT
	MATERIAL	-	01	PART NO	LT2WRH200-00-1-W-24V
	FINISHING	-	SCALE:	DWG NO	-
QTY	-	1:1			SHEET 1 OF 1

1 2 3 4 5 6 7 8